

**NAIA - Pool Play**

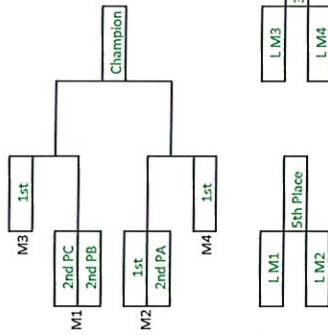
	Pool A	Pool B	Pool C
Tm 1	Seed 1	Seed 2	Seed 3
Tm 2	Seed 6	Seed 5	Seed 4
Tm 3	Seed 7	Seed 8	Seed 9

**Friday, April 17 Pool Play Match-Ups**

9:05 a.m.	PA 1V3	PC 1V3
10:10 a.m.	PB 1V3	PA 2V3
12:20 p.m.	PA 2V3	PC 2V3
1:25 p.m.	PB 2V3	PA 1V2
3:35 p.m.	PA 1V2	PB 1V2
4:40 p.m.	PB 1V2	PC 1V2

**Saturday, April 18 - Champions Bracket & Pool D Play**

**NAIA - Champions Bracket**



**NAIA - Consolation Pool D**

	Pool D
Tm 1	3rd PA
Tm 2	3rd PB
Tm 3	3rd PC

8 a.m.	PD 1V3
10:10 a.m.	PD 2V3
12:20 p.m.	PD 1V2

**Pool Play Tiebreaker Procedures**

The following procedures will be followed when determining pool play standings:

1. Overall win/loss record in pool play
2. Head-to-head competition between tied teams. If 3 teams are tied and all split head-to-head competitions the tiebreaker will move to procedure #3.
3. Set win/loss percentage among tied teams (total sets won/total sets played)
4. Point differential percentage (total points won/total points played)
5. Coin flip

**Champions Bracket Bye Determination Procedures**

The following procedures will be followed when determining the two byes in the Champions Bracket:

1. Overall team record in pool play
2. Pairs win/loss percentage in pool play
3. Set win/loss percentage in pool play (total sets won/total sets played)
4. Point differential percentage (total points won/total points played)
5. Higher seeded team

Bye determination example:

1. School is 2-0 at conclusion of pool play matches – win percentage is 100%
2. Match 1 score: 3-0; Match 2 score: 3-1  
Total pair record 6-1; Pairs win/loss percentage is 86%
3. Match 1 set record: 6-1; Match 2 set record: 7-3  
Set win/loss record 13-4; Set win/loss percentage is 76%